

Rittal – The System.

Faster – better – everywhere.

Digital Brochure

ENCLOSURES

POWER DISTRIBUTION

CLIMATE CONTROL

IT INFRASTRUCTURE

SOFTWARE & SERVICES

FRIEDHELM LOH GROUP

www.rittal.ca



Rittal – The System.

Faster – better – everywhere.



System Accessories

Base/Plinth

Flex-Block Base/Plinth System	424
TS Base/Plinth	426
Base/Plinth	433

Base

Base	435
------------	-----

Walls

Sidewalls	450
Partition Walls	453
Interconnect Kit	458

Baying Systems

Baying	460
--------------	-----

Doors/Locks

Door Models	467
Expansion Accessories for TS Modular Front Design	469
Viewing Windows/Operating Panels	473
Lock Systems	478
Hinges	492
Door, External/Internal	493

Roof/Wall Mounting

Roof	499
Wall Mounting	503

Interior Fittings

Mounting Plates	507
Rail Systems	514
Assembly Components	533
Component Shelves	540
System Lights	545
EMC	551
Interior Fittings for Areas at Risk of Earthquake	554
Grounding	555

Cable Routing

Cable Entry	561
Flange Plates	564
Cable Gland	568
Cable Gland	569
Cable Management	572
Cable Routing 19"	582

19" Installation System

Pivoting Frame	587
Accessories for Data Rack	591
Profile Rails	592
Slide Rails	596
19" Fittings	598
Patch Panels	603
Splicing Boxes	604

Human/Machine Interface

Handles	605
External Mounting Accessories	607
Front Fittings	608
Keyboards, Supports and Drawers	610
Interfaces	617
Signal Pillars	619

Technical Information

RittalXpress	622
CE/Grounding/HD/Model Numbers	623
Protection Categories	624
NEMA	625
Approvals/Equipment Grounding Conductor	627
Coating/Spray Finish	628



Viewing windows/operating panels

System window

To cover display and operating instruments or cut-outs, and provide protection from dirt and moisture as well as unauthorized access.

Made up of the following two components:

1. Base frame:

- Easily screw-fastened to the door thanks to modified dimensions (tubular door frame may be used as a drilling template)
- Readily height-adjustable
- Stabilizes the door cut-out
- Conceals the cut edge
- The rain canopy
 - prevents dirt from getting in the seal
 - stops the glass being lifted out
 - prevents the ingress of dirt and moisture when opening the window
- Frame profile height 30 mm or 60 mm

2. Viewing window:

- Made of single pane safety glass:
 - extremely resistant to solvents and scratches
 - anti-static
 - reduced risk of injury if broken
- Cam lock with double-bit insert, may be exchanged for lock inserts, type A, and semi-cylinders in the Ergoform-S lock system (not with 2735.500 and .560)
- Hinge with 180° opening angle, easy to fit

Material:

- Extruded aluminum profile with die-cast zinc corner pieces and single-pane safety glass

Surface finish:

- Base frame: powder-coated, RAL 7035
- Hinge and lock profile: anodized, natural

Protection category to IEC 60 529:

- IP 54

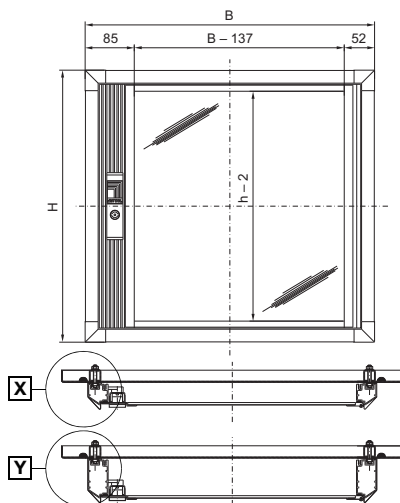
30 section

Suitable for TS, SE with width inches (mm)	Window dimensions, external inches (mm)		Model No.
	H	W	
24 (600)	11 (270)	20 (500)	2735.500
	15 (370)		2735.510
	19 (470)		2735.520
	22 (570)		2735.530
	26 (670)		2735.540
32 (800)	11 (270)	28 (700)	2735.560
	15 (370)		2735.570
	19 (470)		2735.580
	22 (570)		2735.590
	26 (670)		2735.250

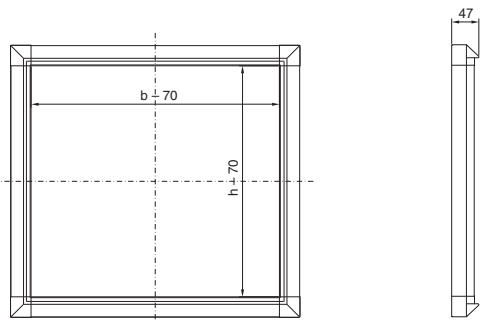
60 section

Suitable for TS, SE with width inches (mm)	Window dimensions, external inches (mm)		Model No.
	H	W	
24 (600)	15 (370)	20 (500)	2736.510
	19 (470)		2736.520
	22 (570)		2736.530
	26 (670)		2736.540
32 (800)	26 (670)	28 (700)	2736.500

Standard double-bit lock insert may be exchanged for lock inserts 27 mm, type A, see page 488 and/or for the Ergoform-S lock system, except H = 11" (270 mm), see page 486

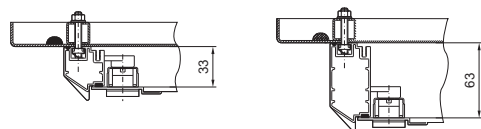


Viewing area (B -137) offset by 16.5 mm towards the hinge side



View X for profile height 30 mm

View Y for profile height 60 mm



Doors/Locks

Viewing windows/operating panels



Viewing window

Mounted on

- AE instead of door
- Surfaces

Max. installation depth: (depth -4 mm)

Visible area:
(height -60 mm) x (width -60 mm)

Material:

- Frame: Aluminum, natural anodized
- Glass panel: Acrylic

Protection category to IEC 60 529:

- IP 54

Supply includes:

- Plastic handle with lock insert no. 3524 E

Depth = 1.3" (34 mm)

Can be used as a door for	Height inches (mm)	Width inches (mm)	Model No.
1050.500, 1350.500 1007.600	20 (497)	20 (497)	2733.000
-	8 (197)	24 (597)	2734.000
1039.500, 1339.500 1009.600, 7641.000	15 (377)	24 (597)	2730.000
1010.500, 1054.500 1060.500, 1360.500 7643.000	24 (597)	24 (597)	2731.000
1012.500, 1076.500 1376.500, 7645.000	30 (757)	24 (597)	2732.000

Depth = 2.4" (60 mm)

Can be used as a door for	Height inches (mm)	Width inches (mm)	Model No.
1050.500, 1350.500 1007.600	20 (497)	20 (497)	2763.000
1039.500, 1339.500 1009.600, 7641.000	15 (377)	24 (597)	2760.000
1010.500, 1054.500 1060.500, 1360.500 7643.000	24 (597)	24 (597)	2761.000
1012.500, 1076.500 1376.500, 7645.000	30 (757)	24 (597)	2762.000

Packs of	Model No.
2 pc(s).	2772.000

Fold-out FT stay

A gas pressurized spring holds the viewing window securely open (top or side).

When the viewing window is closed, the gas pressurized spring disappears into the frame profile.

Clear acrylic cover

With security lock, lock no. 3524 E.

Material:

- Frame: Extruded aluminum profile with die-cast corner pieces
- Glass panel: Smoked acrylic

Protection category to IEC 60 529:

- IP 54

Clear acrylic covers, 19" (482.6 mm)

U	Height inches (mm)	Width inches (mm)	Depth inches (mm)	Model No.
3	6 (158)	13 (320)	2 (47.5)	2780.000
3	6 (158)	21 (534)	2 (47.5)	2781.000
6	11 (291.5)	21 (534)	2 (47.5)	2782.000
9	17 (425)	21 (534)	2 (47.5)	2796.000

Max. installation depth: 43 mm

Visible area:
(height -20.5 mm) x (width -40 mm)

Metric acrylic covers

Height inches (mm)	Width inches (mm)	Depth inches (mm)	Model No.
8 (200)	16 (400)	2 (47.5)	2784.000
16 (400)	16 (400)	2 (47.5)	2785.000
8 (200)	20 (500)	2 (47.5)	2786.000
16 (400)	20 (500)	2 (47.5)	2787.000
8 (200)	24 (600)	2 (47.5)	2788.000
16 (400)	24 (600)	2 (47.5)	2789.000

Max. installation depth: 43 mm

Visible area:
(height -20.5 mm) x (width -40 mm)

Viewing windows/operating panels

Viewing window

Stainless steel

Equipped as standard with internal 130° hinges and all-round seal.

The double-bit lock insert may be exchanged for 27 mm lock inserts, type A, and Ergoform-S handle 2452.000.

Material:

- Stainless steel 1.4301 (AISI 304)
- Single-pane safety glass

Protection category to IEC 60 529:

- IP 54

Supply includes:

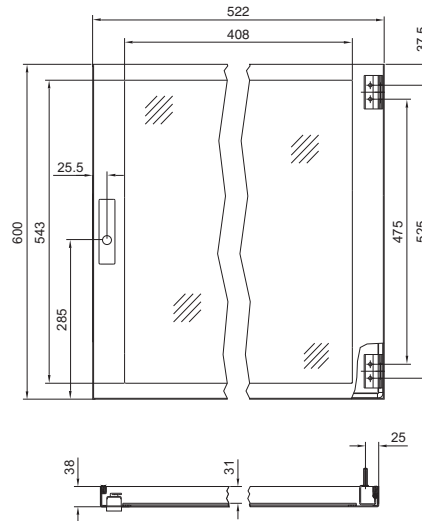
- Assembly components

Height inches (mm)	Width inches (mm)	Depth inches (mm)	Model No.
24 (600)	21 (522)	2 (38)	2793.560



Accessories:

- Lock inserts 27 mm, type A, see page 488
- Ergoform-S handle 2452.000, see page 486



Window kit

Can be installed in most Rittal enclosures of suitable dimensions. The required hardware is included in the window kit. Oil-tight seals ensure a good all-round seal.

Material:

- Carbon steel: 2.0 mm
- Stainless steel 1.4301 (AISI 304): 2.0 mm

Surface finish:

- Carbon steel: Dipcoat-primed, powder-coated on the outside, textured paint
- Stainless steel: Brushed

Color:

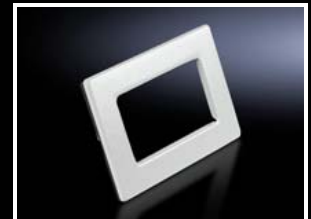
- Carbon steel: RAL 7035

Protection category NEMA:

- Carbon steel: NEMA 12, 3R, 4
- Stainless steel: NEMA 12, 3R, 4X

Note:

- When determining the dimensions for the window, allow clearance for seals, retainers, door reinforcement, wiring plan pocket, door handles, locking rod and other parts to be fastened to the door or cover.



Window height inches (mm)	Window width inches (mm)	Frame height inches (mm)	Frame width inches (mm)	Model No.	Model No. US	Model No.	Model No. US
				Carbon steel		Stainless steel 1.4301 (AISI 304)	
5 (127)	3 (76)	8 (191)	6 (140)	8018.444	WK0503C	8018.445	WK05034
9 (229)	6 (140)	11 (292)	8 (203)	8018.447	WK0905C	8018.448	WK09054
13 (330)	8 (203)	16 (394)	11 (267)	8018.453	WK1308C	8018.454	WK13084
17 (432)	11 (279)	19 (495)	14 (343)	8018.459	WK1711C	8018.460	WK17114
23 (584)	15 (381)	26 (648)	18 (445)	8018.462	WK2315C	8018.463	WK23154

Doors/Locks

Viewing windows/operating panels



Monitor frame

for door width 600 and 800 mm

To cover a door cut-out, for all standard monitors up to 19" (482.6 mm).

Protection category to IEC 60 529:

- IP 54

Supply includes:

- Safety glass panel

Dimensions	Height inches (mm)	Width inches (mm)	Model No.
External dimensions	17 (430)	19 (470)	2305.000
Viewing area	13 (325)	15 (375)	
Cut-out required	15 (375)	16 (415)	



Labeling strips

To create individual field identifiers on the door, incl. transparent film and fixings.

For text labels:

Height: 29 mm

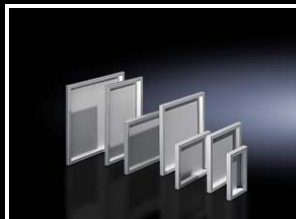
Width: Enclosure width -150 mm

Thickness: 0.75 mm

Color:

- RAL 7033

For enclosure width inches (mm)	Model No.
24 (600)	2403.000
32 (800)	2404.000



Operating panel

Mounted on

- AE instead of door
- Surfaces

Frame structure with internal corner connectors, 3 mm aluminum plate secured from the inside and sealed against the frame.

Material:

- Aluminum, natural anodized

Protection category to IEC 60 529:

- IP 54

Supply includes:

- Aluminum frame
- Display panel
- Hinges
- Brackets



Can be used as a door for AE	Height inches (mm)	Width inches (mm)	Depth inches (mm)	Model No.
1001.600 1002.500 1002.600 1032.500 1035.500	12 (297)	8 (197)	1 (34)	2740.000¹⁾
1004.600 1011.600 1030.500 1031.500	12 (297)	15 (377)	1 (34)	2741.000
1006.500 1006.600 1380.500	15 (377)	15 (377)	1 (34)	2742.000
1008.600 1038.500 1338.500	24 (597)	15 (377)	1 (34)	2743.000
1007.600 1013.600 1050.500 1350.500	20 (497)	20 (497)	1 (34)	2745.000
1009.600 1039.500 1339.500	15 (377)	24 (597)	1 (34)	2744.000
1010.500 1010.600 1060.500 1360.500	24 (597)	24 (597)	1 (34)	2746.000

¹⁾ With AE, only for use on the rear wall

Area available for population:
(height -70 mm) x (width -70 mm)

Dimensions of aluminum plate:
(height -54 mm) x (width -54 mm)

Accessories:

- Cam lock 2749.000, see page 477

Viewing windows/operating panels

Cam lock

Can be retrofitted to the operating area or housing wall of an operating panel.

Standard double-bit lock insert may be exchanged for type C lock inserts type C plastic handles.

Packs of	Model No.
1 pc(s).	2749.000



Accessories:

- Lock inserts, type C, see page 488
- Plastic handle, type C, see page 487

